

SuperSpeed USB 20Gbps Type-C NVMe SSD Enclosure

User Manual

Ver. 1.00

**All brand names and trademarks are properties of their
respective owners.**

Contents:

Chapter 1: Introduction.....	3
1.1 Features.....	3
1.2 System Requirements	3
1.3 Package Contents.....	3
Chapter 2: Getting Started	4
2.1 Hard Drive Installation	4

Chapter 1: Introduction

1.1 Features

- Compatible with SuperSpeed USB 20Gbps, SuperSpeed USB 10Gbps, SuperSpeed USB 5Gbps, High Speed and Full Speed
- Data rate up to 20Gbps
- Supports PCIe 3.0 x4 M.2 NVMe SSD
- Supports 2280, 2260 2242 and 2230 M.2 form factors
- LED status
 - ON: Good linkage between the Enclosure and the host.
 - BLINK: Activity (Reading or writing) with the Enclosure.
 - OFF: The Enclosure is disconnected from the host.

1.2 System Requirements

- Windows 7/8/8.1/10; Mac OS 10.8 or later; Linux 2.6.24 or later
- One available USB-C port

1.3 Package Contents

- 1 x SuperSpeed USB 20Gbps Type-C NVMe SSD Enclosure
- 1 x 30cm USB 3.2 Gen 2x2 USB-C to USB-C cable

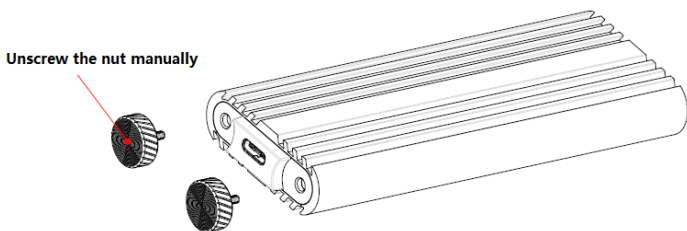
- 1 x Thermal Pad
- 1 x User Manual

Chapter 2: Getting Started

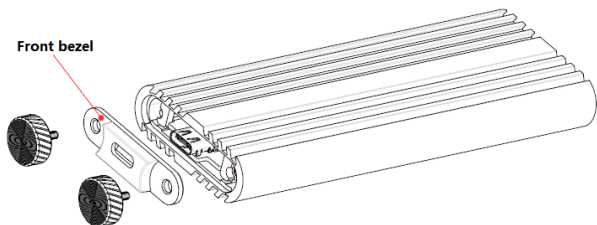
2.1 Hard Drive Installation

Follow the steps to install SSD.

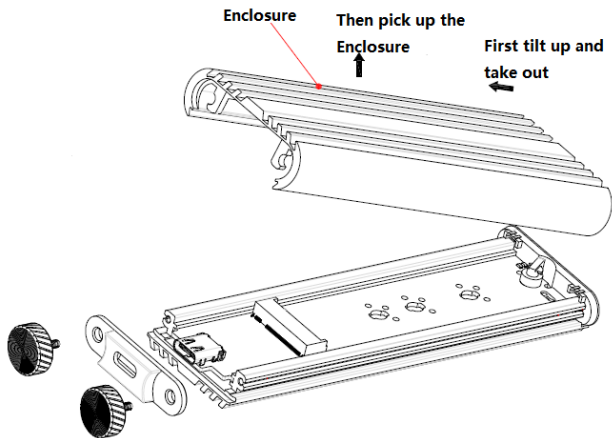
1. Manually unscrew the two nuts



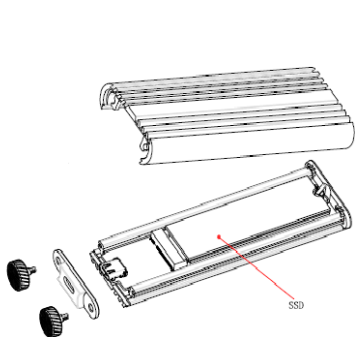
2. Remove the front bezel



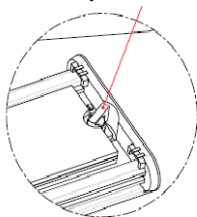
3. Tilt up to take out the enclosure



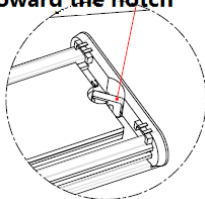
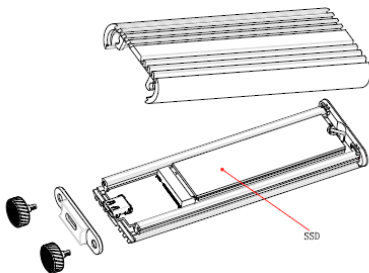
4. Insert the SSD, and then rotate the lever clockwise toward the notch.



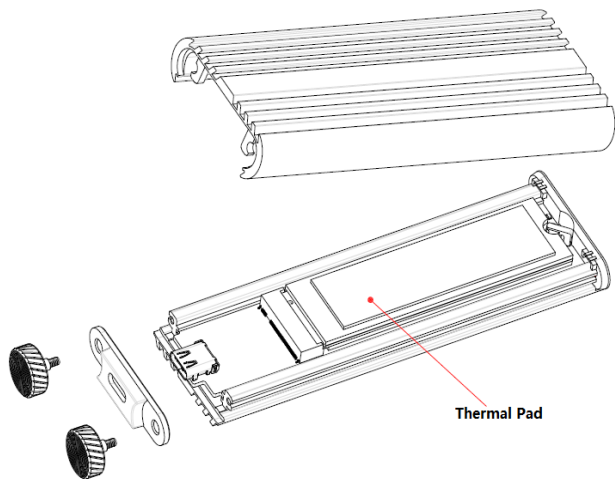
Initial position of the lever



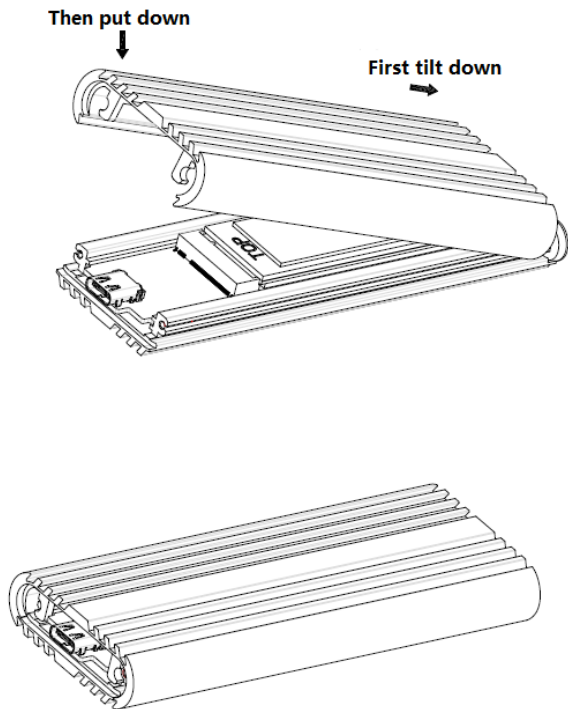
Turn the lever clockwise toward the notch



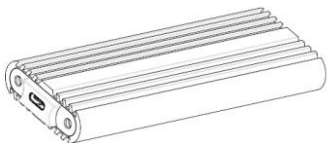
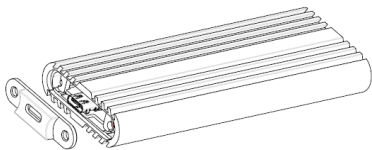
5. Paste the thermal pad



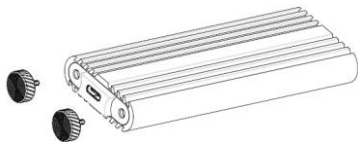
6. Tilt down to install enclosure



7. Install the front bezel



8. Manually install two nuts



9. The Enclosure Kit is now assembled and ready for connection to a computer.